

Fuse holder E90 PV

The E90 PV series of fuse holders have been specifically designed for photovoltaic applications. Thanks to their rated voltage of 1000 and 1500 V DC, they can be a perfect solution for protection of the strings in photovoltaic applications. The compact size of these devices make them easy to be installed on DIN rails in a string combiner box or in an inverter. During maintenance, they ensure isolation of circuits and strings up to 1500 V DC, providing total safety.

E90 PV can be used in combination with E9F PV 10,3 x 38 gPV cylindrical fuses (1000 V DC applications) or in combination with E9F PV1500 10 x 85 and 10/14x85 gPV cylindrical fuses (1500 V DC applications).

Main benefits

- High temperature performance thanks to venting grooves and cooling chambers that improve heat dissipation also for multipole configurations.
- IP 20 touch proof ensuring no possibility of getting in touch with live parts during operation or maintenance of fuse replacement, ensuring protection of maintenance staff.
- In case of E90 PV for 1000 V DC applications, safety during maintenance operations can be further ensured by the possibility to seal the handle in close position and lock it in open position.
- Faster identification of faulty strings with fuse holders for 1000 V DC installations thanks to the LED on the fuse holder which indicates the blown fuse.



01



02

—
01
E90 PV 1000 V DC
—
02
E90 PV 1500 V DC

Fuse holder E90 PV

Technical features



E90 PV 1000



E90 PV 1500

Type		E90/32 PV	E90/32 PV 1500
Reference standards	-	IEC 60947-3, UL 4248-1, UL 4248-18	IEC 60269-1,-2,-6 UL 4248-19
Rated current	[A]	30	32 (acc. IEC) / 30 (acc. UL)
Rated operational voltage	[V]	1000 V DC	1500 V DC
Fuse size	[mm]	10x30	10x85 and 10/14x85
Max. power dissipation accepted	[W]	3	6
Tightening torque	[Nm]	PZ2 2-2.5 Nm (PZ2 18-22 lb-in)	PZ2 2-2.5 Nm (PZ2 18-22 lb-in)
Protection degree	-	IP20	IP20
Cross section rigid copper conductors (1 wire)	[mm ²]	1.5 - 25 (16-4 AWG)	16-10 AWG
Cross section stranded copper conductors (1 wire)	[mm ²]	1.5 - 16 (16-5 AWG)	0.75 - 25 (18-4 AWG)
Cable temperature	[°C]	CU 60, 75, 90	max 90 (acc. UL)
Operating temperature	[°C]	-5/40	> -5
Storage temperature	[°C]	-25/+70	> -25
Approvals	-	UL, CCC, EAC	UL, CCC

Fuse holder E90 PV

Ordering codes and dimensions



E90 PV 1000



E90 PV 1500

E90 PV 1000 V DC fuse holder for 10x38 mm fuses

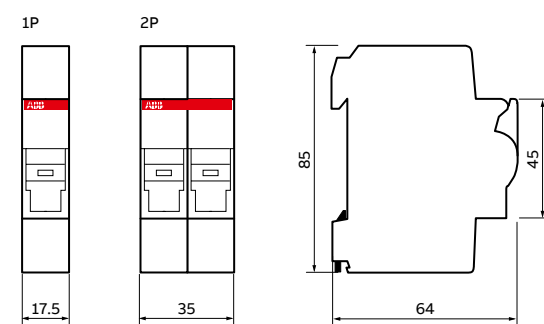
Poles	Rated current	Width mm	Bbn 8012542		Price 1 piece	Weight 1 piece kg	Pack unit pc.
			EAN	Type code			
1	30	17.5	047131	E 91/32 PV	2CSM204713R1801	0.061	6
1	30	17.5	046936	E 91/32s PV	2CSM204693R1801	0.061	6
2	30	35	047049	E 92/32 PV	2CSM204703R1801	0.122	3
2	30	35	569138	E 92/32s PV	2CSM256913R1801	0.122	3

E90 PV 1500 V DC fuse holder for 10x85 and 10/14x85 mm fuses

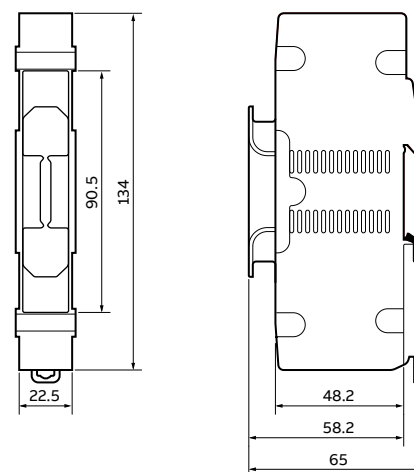
Poles	Rated current	Width mm	Bbn 8012542		Price 1 piece	Weight 1 piece kg	Pack unit pc.
			EAN	Type code			
1	32	22.5	020417	E91/32 PV1500e	2CSM202041R1801	0.080	5
1	32	22.5	743613	E91/32 PV1500e	2CSM274361U1801	0.080	60

Overall dimensions

All measurements in mm



E90 PV 1000 V DC



E90 PV 1500 V DC

Fuse E9F PV

E9F fuses for 1000 V DC



The E9F PV series of cylindrical fuses has been specifically designed for protecting direct current circuits up to 1500 V. Those fuses are the best way to protect the strings, inverters and surge arresters in photovoltaic installations.

The range of E9F PV fuses is available in the 10.3 x 38 mm size for up to 30 A rated current values at a nominal voltage of 1000 V DC or in the 10x85 mm size up to 32 A rated current at a nominal voltage of 1500 V DC.

Technical features

Type	E9F PV		E9F PV 1500
Reference standards	-	IEC 60269-6; ROHS 2002/98/CE, UL	IEC 60269-6; ROHS 2002/98/CE, UL
Rated current	[A]	1...30	4...32
Rated operational voltage	[V]	1000 DC	1500 DC
Breaking capacity	[kA]	10	50
Overall dimensions	[mm]	10.3x38	10x85

Fuse E9F PV

Ordering codes and dimensions



E9F PV

E9F PV 1000 V DC 10x38 mm fuses

Rated current	Bbn 8012542	Order details		Price 1 piece	Weight 1 piece kg	Pack unit pc.
	EAN	Type code	Order code			
1	134568	E 9F1 PV	2CSM213456R1801		0.007	10
2	134667	E 9F2 PV	2CSM213466R1801		0.007	10
3	134766	E 9F3 PV	2CSM213476R1801		0.007	10
4	134865	E 9F4 PV	2CSM213486R1801		0.007	10
5	134964	E 9F5 PV	2CSM213496R1801		0.007	10
6	135060	E 9F6 PV	2CSM213506R1801		0.007	10
7	135169	E 9F7 PV	2CSM213516R1801		0.007	10
8	135268	E 9F8 PV	2CSM213526R1801		0.007	10
10	135367	E 9F10 PV	2CSM213536R1801		0.007	10
12	135466	E 9F12 PV	2CSM213546R1801		0.007	10
15	135565	E 9F15 PV	2CSM213556R1801		0.007	10
20	135664	E 9F20 PV	2CSM213566R1801		0.007	10
25	135763	E 9F25 PV	2CSM213576R1801		0.007	10
30	135862	E 9F30 PV	2CSM213586R1801		0.007	10

E9F PV 1500 V DC 10x85 mm fuses

Rated current	Bbn 8012542	Order details		Price 1 piece	Weight 1 piece kg	Pack unit pc.
	EAN	Type code	Order code			
4	339410	E9F4 PV1500	2CSM233941R1801		0.010	5
5	52852	E9F5 PV1500	2CSM205285R1801		0.010	5
6	52951	E9F6 PV1500	2CSM205295R1801		0.010	5
7	53057	E9F7 PV1500	2CSM205305R1801		0.010	5
8	53156	E9F8 PV1500	2CSM205315R1801		0.010	5
10	53255	E9F10 PV1500	2CSM205325R1801		0.010	5
12	53354	E9F12 PV1500	2CSM205335R1801		0.010	5
15	53453	E9F15 PV1500	2CSM205345R1801		0.010	5
20	68754	E9F20 PV1500	2CSM206875R1801		0.010	5
25	68952	E9F25 PV1500	2CSM206895R1801		0.010	5
30	69058	E9F30 PV1500	2CSM206905R1801		0.010	5
32	69256	E9F32 PV1500	2CSM206925R1801		0.010	5